

WC301

Workgroup Conferencing



VoIP Conferencing Solution

A major purchasing criterion of VoIP telephony is based on features offered by the solution. Users typically have more features at their desktop than in the conference room. The WC301 connects directly to a VoIP phone to utilize these features and capabilities in a group conference call.

The WC301 is designed to accommodate a typical working conference room. Each microphone channel provides independent signal processing to remove echo, fan noise and accommodate softer talkers. The WC301 will also reduce background noise from callers on cell phones or in other noisy environments.

Users dial the party or parties with the VoIP telephone. Pressing the headset button on the phone engages the WC301. All features including multi-party calling are available to the user. At any time the handset may be used for privacy.

Web Conferencing

A growing number of webconferencing clients provide voice, data and even video over one IP connection. The WC301 allows these clients to be used by a group delivering audio that rivals Enterprise level videoconferencing systems.

Next Generation Algorithms

The WC301 uses a sub-band method for Acoustic Echo Cancellation (AEC). This approach converges fast, diverges slow and uses less computation power when compared to other methods. A breakthrough approach to Noise Reduction (NR) provides 15dB without compromising the quality of speech. Efficient NR works seamlessly with Auto Gain Control (AGC) by compensating for softer talkers and maintaining clear speech. Auto-mixing reduces reverberation without falsely triggering microphones.

VoIP Audioconferencing

Webconferencing

Audio Enhancement for Videoconferencing



Physical

Dimensions 1.5”H x 6.70”W x 6.50”D

Digital Signal Processing

Acoustic Echo Cancellation (Tail length) 128mS

Room Background Noise Reduction 15dB

Cell Phone Noise Reduction 10dB

AGC range 12dB, +/- 6db

Line Echo Cancellation 32mS

Frequency Response 50 Hz to 7 KHz

Microphone Inputs

3 x 3.5mm Stereo

Mic Input Nominal Level -50dBu

Mic Input Impedance 2Kohm

Phantom Power 5VDC

Line Input

1 x 3.5mm Stereo

Line Input Nominal Level 0dBu

Line Input Impedance $\geq 10\text{Kohm}$

Line Output

1 x 3.5mm Stereo

Line Output Nominal Level 0dBu

Line Output Impedance 50 ohms

VoIP Phone Connection

1 x RJ10

Input Impedance $\geq 10\text{Kohm}$

Output Impedance 500 ohms

Nominal Level -3dBu

Metering

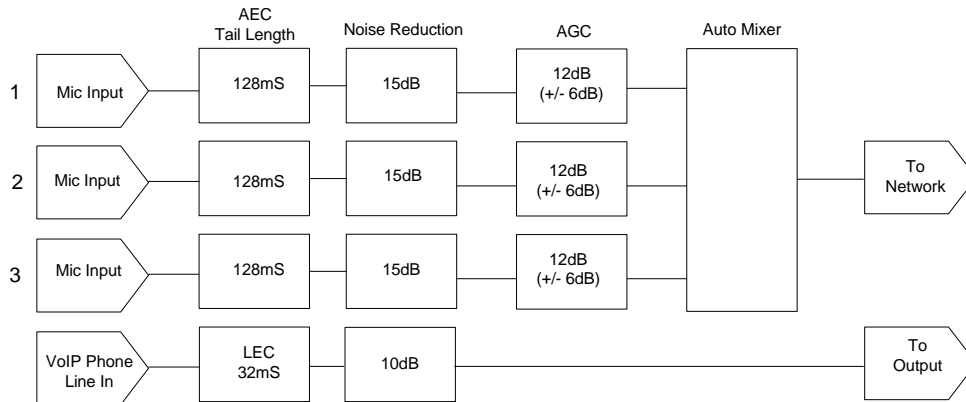
Line Input Level Indicator -15dBu to +3dBu

Electrical

Power Supply 9VDC

110V or 220V Power Adapter Available

please specify with order



WideBand Solutions, Inc.

1125 Farmington Ave.

Suite 202

Farmington, CT 06032

860.404.9478 tell

860.371.2312 fax

www.widebandsolutions.com